



Models TC-21 (HD) and (J)

Trailer Pumps

Applications

- ▶ Trailer off loading with hydraulic (HD) or jack shaft (J) drive

Features & Benefits

- ▶ State-of-the-art ELF seal yields 1500-2000 hours of normal operation
- ▶ High performance impeller provides a high flow rate with minimum NPSH required
- ▶ Machined heavy duty stainless steel shaft provides vibration free performance
- ▶ All bronze construction suitable for oxygen compatibility
- ▶ Stainless intermediate and backplate reduces cold migration and prevents premature bearing failure (optional)

Liquids Pumped

- ▶ N₂, O₂, Ar



TC-21 (HD)
Bronze Intermediate



TC-21 (J)
Stainless Steel Intermediate

Specifications

Flow Range

gpm	25–225
lpm	95–852

NPSHR

feet	3–10
meters	1–3.5

Differential Head

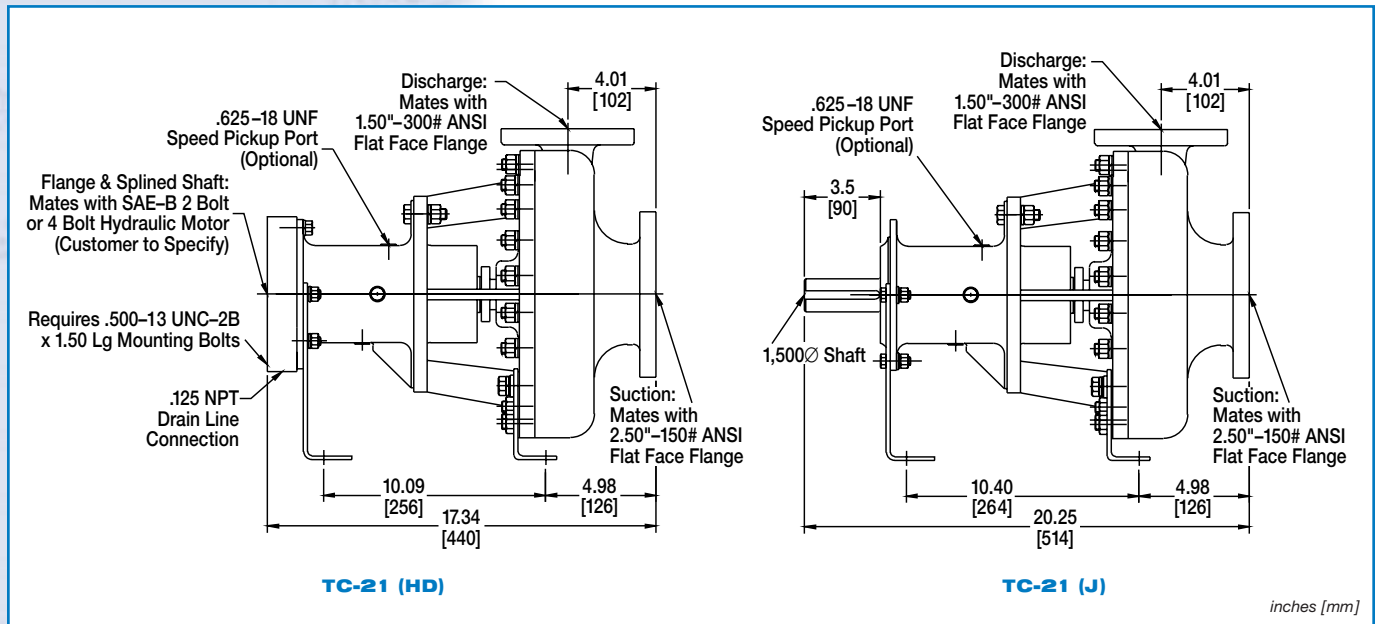
feet	100–1200
meters	31–366

RPM Range

rpm	1500–5500
-----	-----------

Models TC-21 (HD) and (J)

Dimensions



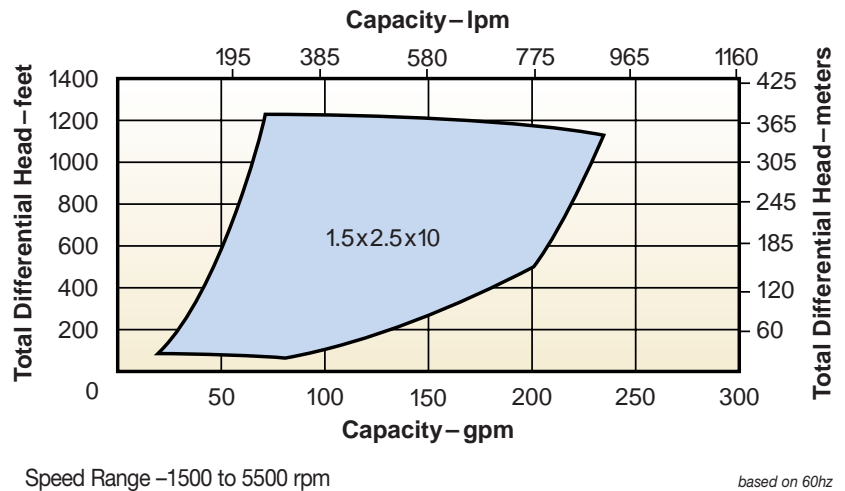
Scope of Supply

- ▶ Pump and bearing housing
- ▶ SAE-B flange to accept direct hydraulic motor mounting (HD only)
- ▶ Mounting brackets with locking tabs
- ▶ Port for speed verification
- ▶ Purge port (mechanical seal)

Optional Accessories

- ▶ Stainless steel intermediate and backplate
- ▶ Speed pick-up and tachometer

Pump Performance Map



Worldwide Sales & Service Centers



2321 S. Pullman Street
Santa Ana, CA 92705 USA
Tel +1.949.261.7533 • Fax +1.949.261.6285
800.525.4216 (USA only)
acd@acdcom.com, www.acdcom.com



Gutenbergstrasse 1
CH-4142 Muenchenstein, Switzerland
Tel +41.61.413.0230 • Fax +41.61.413.0233
info@acdcryo.com

Cryogenic Industries-Headquarters
25720 Jefferson Avenue
Murrieta, CA 92562 USA
Tel +1 909.696.7840
Fax +1 909.698.7484
info@cryoind.com
www.cryoind.com

CryoAtlanta, Inc.
370 Great Southwest Parkway, Suite F
Atlanta, GA 30336 USA
Tel 888.217.9355 (USA only)
Tel +1 404.696.8113
Fax +1 404.696.8116
tffarmer@bellsouth.net

CryoCal, Inc.
2110 S. Lyon Street, Unit H
Santa Ana, CA 92705 USA
Tel +1 949.724.8636
Fax +1 714.641.1921
cryocal@ix.netcom.com

CryoCanada Incorp.
530 McNicoll Avenue
North York, Ontario M2H 2E1, Canada
Tel +1 416.502.1950
Fax +1 416.502.1952
cryocan@istar.ca

Cryogenic Industries-Malaysia
Lot 35, Jalan Selat Selatan 21
Sobena Jaya, Pandamaran
42000 Port Klang, Selangor, Malaysia
Tel +60 (3).365.4801
Fax +60 (3).365.4798
jestes@pc.jaring.my

Pittsburgh Cryogenic Services, Inc.
767 State Route 30
Imperial, PA 15126 USA
Tel 800.327.6461 (USA only)
Tel +1 724.695.1910
Fax +1 724.695.1926
pittcryo@pulsenet.com

Cryo-Chem Pty LTD
47 McIntosh Street
Airport West, Victoria 3042, Australia
Tel +61 3.9330.2444
Fax +61 3.9330.1015
rmross1@ibm.net

Cryogenic Industries-China
64 Tian Mu Shan Road
Hangzhou, 310007, China
Tel +86 571.885.9026
Fax +86 571.885.9025
dkling@mail.hz.zj.cn

Members of **CRYOGENIC INDUSTRIES**