



# Model AC/TC-30

## Close Coupled Pump

### Applications

- ▶ Liquid storage transfer
- ▶ Process plant
- ▶ Truck and trailer off-loading
- ▶ Tank car unloading

### Features & Benefits

- ▶ Close coupled design provides:
  - low-high pressure operations at high efficiencies
  - fewer moving parts
  - lower maintenance costs
- ▶ Shaft seal design (mechanical or labyrinth) provides long life and efficient performance
- ▶ VFD compatibility allows for multiple operating speeds
- ▶ Minimum recirculation wear rings reduce maintenance requirements and improve efficiencies

### Liquids Pumped

- ▶ N<sub>2</sub>, O<sub>2</sub>, Ar

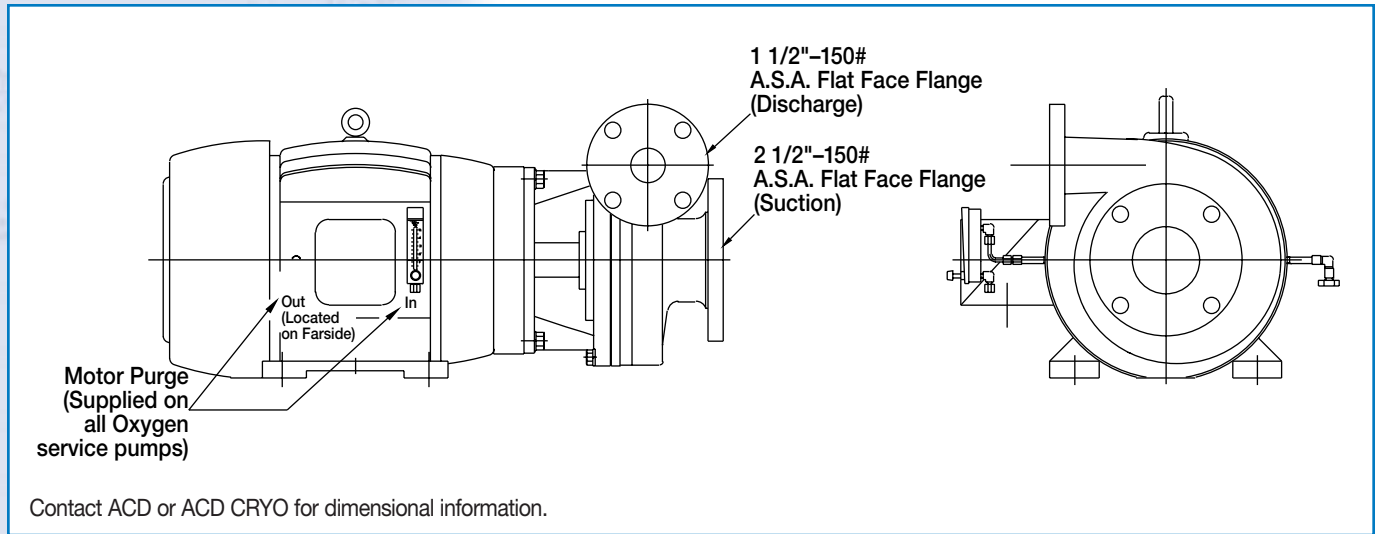


### Specifications

<b>Flow Range</b>	
gpm	16–630
lpm	60–2350
<b>NPSHR</b>	
feet	2–12
meters	0.6–4
<b>Differential Head</b>	
feet	20–700
meters	6–210
<b>Pump Design Rating</b>	
hp	3–100
kw	2.2–75
<b>RPM Range</b>	
rpm	1450–3500

# Model AC/TC-30

## Dimensions



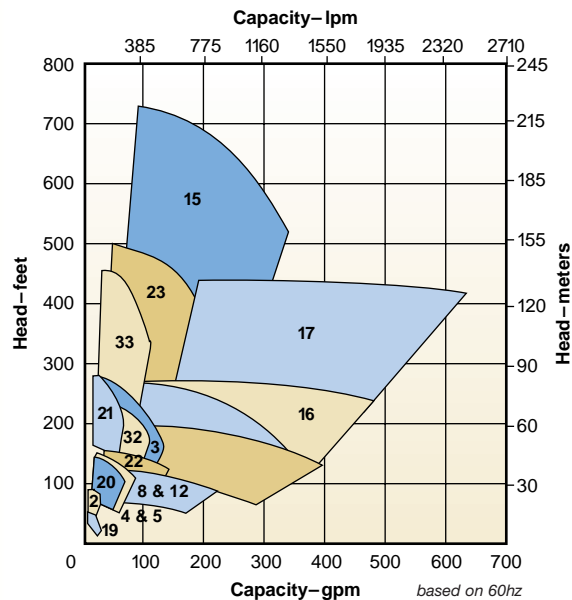
### Scope of Supply

- ▶ Pump and TEFC electrical motor
- ▶ ELF mechanical seal (select models)
- ▶ Motor and seal purge ports

### Optional Accessories

- ▶ Labyrinth seal (dual, single)
- ▶ Pump skid, P&ID dwg #54215
- ▶ Automatic control system
- ▶ Purge, seal and recommended spare parts kits

## Pump Performance Map



Pump ID	Pump Size
2	1x2x4.5
3	1x3x8.5
4	1.5x2.5x6A
5	1.5x3x6
8	2x3x6
12	2x4x6
13	2x4x8.5
15	2x4x13
16	3x4x8.5
17	4x5x10.5
19	.75x1x4
20	1x2x6
21	1x2x6-2S
22	1.5x2.5x6C
23	1.5x2.5x10
25	2x4x7.37
32	1.5x3x7
33	1.5x3x7-2S

## Worldwide Sales & Service Centers



2321 S. Pullman Street  
Santa Ana, CA 92705 USA  
Tel +1.949.261.7533 • Fax +1.949.261.6285  
800.525.4216 (USA only)  
acd@acdcom.com, www.acdcom.com



Gutenbergstrasse 1  
CH-4142 Muenchenstein, Switzerland  
Tel +41.61.413.0230 • Fax +41.61.413.0233  
info@acdcrysto.com

**Cryogenic Industries—Headquarters**  
25720 Jefferson Avenue  
Murrieta, CA 92562 USA  
Tel +1 909.696.7840  
Fax +1 909.698.7484  
info@cryoind.com  
www.cryoind.com

**CryoAtlanta, Inc.**  
370 Great Southwest Parkway, Suite F  
Atlanta, GA 30336 USA  
Tel 888.217.9355 (USA only)  
Tel +1 404.696.8113  
Fax +1 404.696.8116  
tfarmer@bellsouth.net

**CryoCal, Inc.**  
2110 S. Lyon Street, Unit H  
Santa Ana, CA 92705 USA  
Tel +1 949.724.8636  
Fax +1 714.641.1921  
cryocal@ix.netcom.com

**CryoCanada Incorp.**  
530 McNicoll Avenue  
North York, Ontario M2H 2E1, Canada  
Tel +1 416.502.1950  
Fax +1 416.502.1952  
cryocan@istar.ca

**Cryogenic Industries—Malaysia**  
Lot 35, Jalan Selat Selatan 21  
Sobena Jaya, Pandamaran  
42000 Port Klang, Selangor, Malaysia  
Tel +60 (3).365.4801  
Tel +60 (3).365.4798  
jestes@pc.jaring.my

**Pittsburgh Cryogenic Services, Inc.**  
767 State Route 30  
Imperial, PA 15126 USA  
Tel 800.327.6461 (USA only)  
Tel +1 724.695.1910  
Fax +1 724.695.1926  
pittcryo@pulsenet.com

**Cryo-Chem Pty LTD**  
47 McIntosh Street  
Airport West, Victoria 3042, Australia  
Tel +61 3.9330.2444  
Fax +61 3.9330.1015  
rmross1@ibm.net

**Cryogenic Industries—China**  
64 Tian Mu Shan Road  
Hangzhou, 310007, China  
Tel +86 571.885.9026  
Fax +86 571.885.9025  
dking@mail.hz.zj.cn

