



Members of  CRYOGENIC INDUSTRIES

Model TC-50

Belt Box Pump

Applications

- ▶ Liquid storage transfer
- ▶ Small and medium plant transfer and pipeline back-up
- ▶ Tank car unloading

Features & Benefits

- ▶ Rugged high speed belt box:
 - excellent for intermittent duty, high power flow applications
 - design does not require an inverter duty motor to obtain high speed, high pressure applications
 - excellent cold creep barrier to protect motor bearings
- ▶ Impeller design allows for low NPSH requirement
- ▶ All bronze construction allows for O₂ compatibility

Liquids Pumped

- ▶ N₂, O₂, Ar



Specifications

Flow Range

gpm	20-200
lpm	75-750

NPSHR

feet	2-12
meters	0.6-4

Differential Head

feet	200-1500
meters	60-455

Pump Design Rating

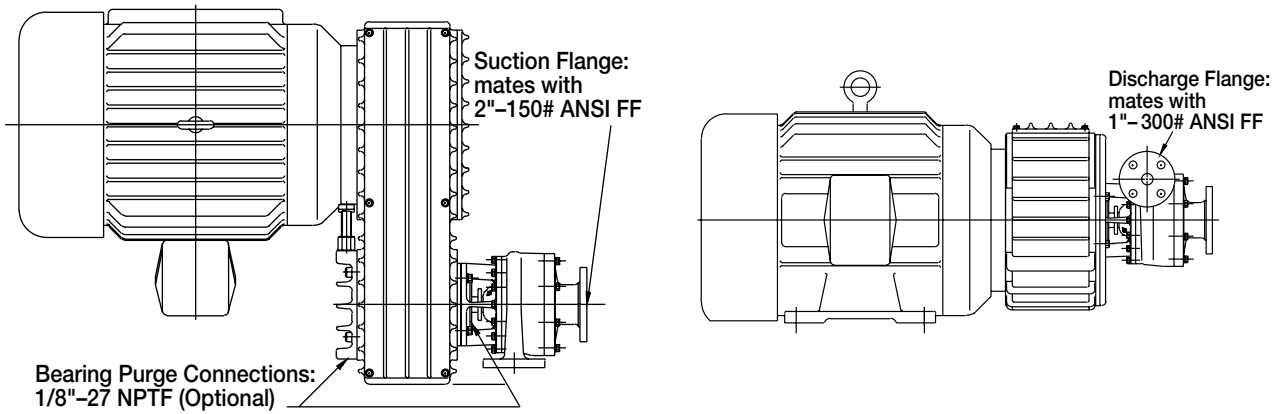
hp	40-75
kw	30-55

RPM Range

rpm	3650-8750
-----	-----------

Model TC-50

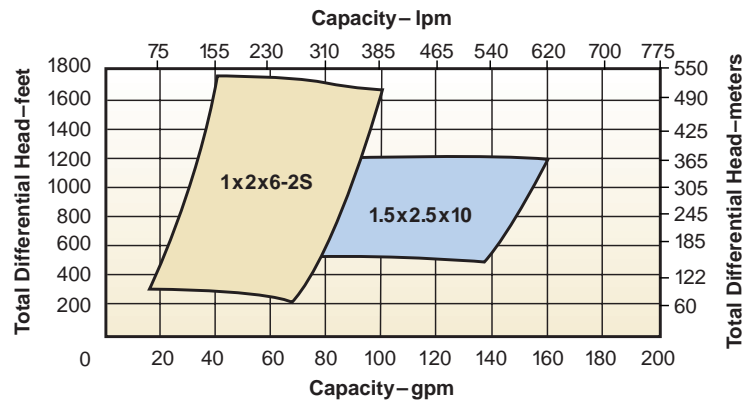
Dimensions



Contact ACD or ACD CRYO for dimensional information.

inches [mm]

Pump Performance Map



Speed Range:

1x2x6-2S	3650 to 5500 rpm
1.5x2.5x10	3650 to 8750 rpm

Note: Limited to 10 fps

based on 60hz

Scope of Supply

- ▶ Pump, TEFC motor, and high performance belt box drive
- ▶ Mechanical purge ports

Optional Accessories

- ▶ Pump skid assembly, P&ID dwg #54215
- ▶ Bearing purge kit

Worldwide Sales & Service Centers



2321 S. Pullman Street
Santa Ana, CA 92705 USA
Tel +1.949.261.7533 • Fax +1.949.261.6285
800.525.4216 (USA only)
acd@acdcom.com, www.acdcom.com



Gutenbergstrasse 1
CH-4142 Muenchenstein, Switzerland
Tel +41.61.413.0230 • Fax +41.61.413.0233
info@acdCRYO.com

Cryogenic Industries—Headquarters
25720 Jefferson Avenue
Murrieta, CA 92562 USA
Tel +1 909.696.7840
Fax +1 909.698.7484
info@cryoind.com
www.cryoind.com

CryoAtlanta, Inc.
370 Great Southwest Parkway, Suite F
Atlanta, GA 30336 USA
Tel 888.217.9355 (USA only)
Tel +1 404.696.8113
Fax +1 404.696.8116
tfarmer@bellsouth.net

CryoCal, Inc.
2110 S. Lyon Street, Unit H
Santa Ana, CA 92705 USA
Tel +1 949.724.8636
Fax +1 714.641.1921
cryocal@ix.netcom.com

CryoCanada Incorp.
530 McNicoll Avenue
North York, Ontario M2H 2E1, Canada
Tel +1 416.502.1950
Fax +1 416.502.1952
cryocan@istar.ca

Cryogenic Industries—Malaysia
Lot 35, Jalan Selat Selatan 21
Sobena Jaya, Pandamaran
42000 Port Klang, Selangor, Malaysia
Tel +60 (3).365.4801
Fax +60 (3).365.4798
jestes@pc.jaring.my

Pittsburgh Cryogenic Services, Inc.
767 State Route 30
Imperial, PA 15126 USA
Tel 800.327.6461 (USA only)
Tel +1 724.695.1910
Fax +1 724.695.1926
pittcryo@pulsenet.com

Cryo-Chem Pty LTD
47 McIntosh Street
Airport West, Victoria 3042, Australia
Tel +61 3.9330.2444
Fax +61 3.9330.1015
rmross1@ibm.net

Cryogenic Industries—China
64 Tian Mu Shan Road
Hangzhou, 310007, China
Tel +86 571.885.9026
Fax +86 571.885.9025
dking@mail.hz.zj.cn

Members of CRYOGENIC INDUSTRIES