



# Model WDPD

## Cylinder Filling Pump

### Applications

- ▶ Intermittent cylinder filling

### Features & Benefits

- ▶ Standard pump — quick delivery, low cost, and reliable operation
- ▶ Sealed drive end prevents contamination of bearings and requires no field maintenance
- ▶ Vacuum jacketed cold end for low liquid losses
- ▶ Cold end interchangeable with NDPD drive
- ▶ Extended stem vacuum port with positive seal for improved vacuum integrity
- ▶ Adaptable to Cryoquip's vaporizer for complete cylinder filling operations
- ▶ Worldwide service network provides responsive service and prompt spare parts when needed

### Liquids Pumped

- ▶ N<sub>2</sub>, O<sub>2</sub>, Ar



WDPD Control Panel

### Specifications

1.2 bore x 1.26 stroke  
(30 mm x 32mm)

#### Flow Rate

gpm	2.2	1.9	1.6
lpm	8.4	7.2	6.0

#### Motor

hp	10
kw	7.4

#### Maximum Working Pressure

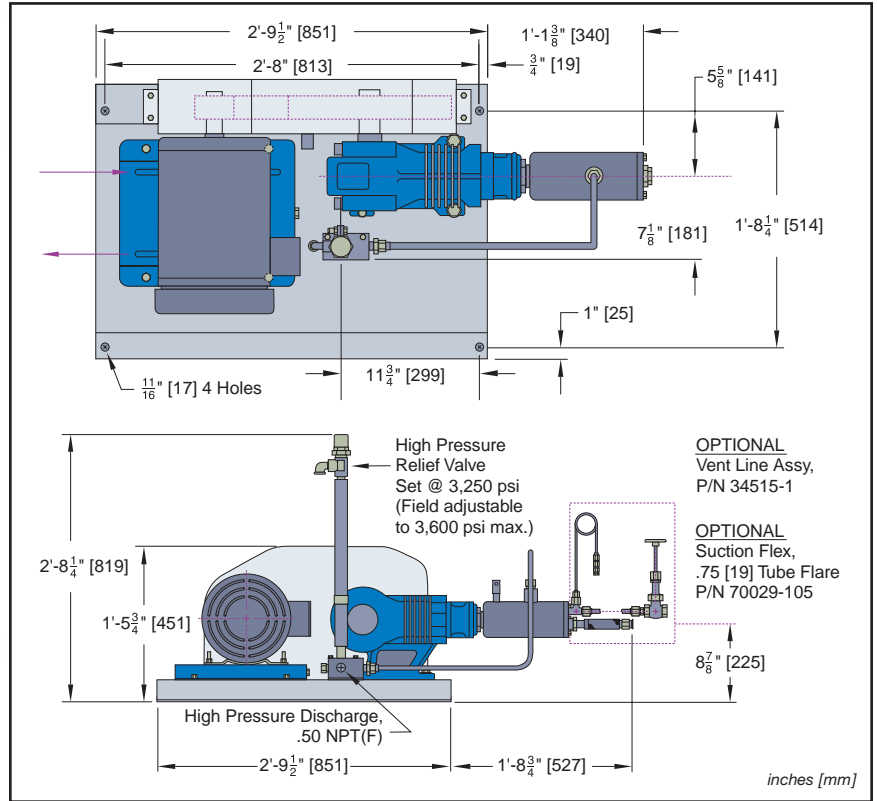
psi	3000 (relief set at 3250)
bar	207

#### Maximum Suction Pressure

psi	300
bar	20.7

# Model WDPD

## Dimensions



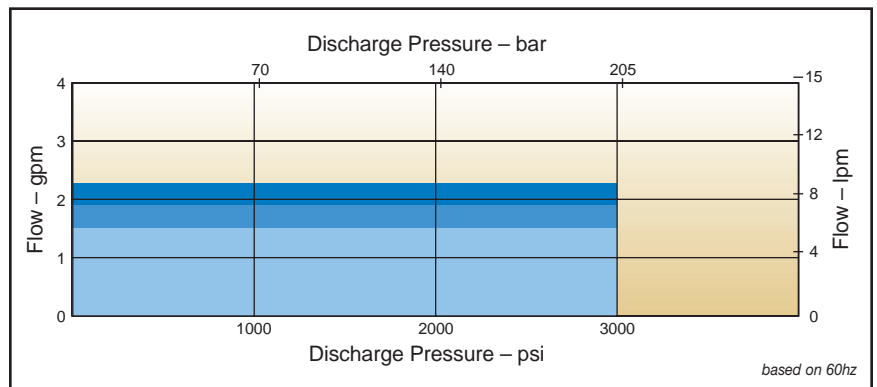
### Scope of Supply

- ▶ Vacuum jacketed cold end and grease lubricated drive assembly
- ▶ Suction adapter with suction strainer
- ▶ 10 hp electric motor
- ▶ Hot dipped galvanized steel skid
- ▶ High pressure discharge line with surge chamber and high pressure relief valve
- ▶ Belt drive system with corrosive/weather resistant composite belt guard
- ▶ Control panel (NEMA 3R) with combination motor starter and low voltage control transformer, local control and running time meter (shipped loose)
- ▶ High pressure Murphy switch/gauge (shipped loose)

### Optional Accessories

- ▶ Econpack (includes Cryoquip vaporizer)
- ▶ Suction line flex assembly
- ▶ Vent line assembly

## Pump Performance Map



## Worldwide Sales & Service Centers



2321 S. Pullman Street  
Santa Ana, CA 92705 USA  
Tel 800.525.4216 (USA only)  
Tel +1.949.261.7533  
Fax +1.949.261.6285  
acd@acdcom.com  
www.acdcom.com



Gutenbergstrasse 1  
CH-4142 Muenchenstein  
Switzerland  
Tel +41.61.413.0230  
Fax +41.61.413.0233  
sales@acdryo.com  
www.acdryo.com

Rheinauenstrasse 2  
D-79415 Bad Bellingen  
Germany  
Tel +49.7635.8105.0  
Fax +49.7635.8965  
info@acdryo.com  
www.acdryo.com

**Cryogenic Industries—Headquarters**  
25720 Jefferson Avenue  
Murrieta, CA 92562 USA  
Tel +1 909.696.7840  
Fax +1 909.698.7484  
info@cryoind.com  
www.cryoind.com

**CryoAtlanta, Inc.**  
370 Great Southwest Parkway, Suite F  
Atlanta, GA 30336 USA  
Tel 888.217.9355 (USA only)  
Tel +1 404.696.8113  
Fax +1 404.696.8116  
tfarmer@bellsouth.net  
www.cryoatlanta.com

**CryoCal, Inc.**  
2110 S. Lyon Street, Unit H  
Santa Ana, CA 92705 USA  
Tel +1 949.724.8636  
Fax +1 714.641.1921  
cryocal@internetconnect.net  
www.cryocal.com

**CryoCanada Incorp.**  
530 McNicoll Avenue  
North York, Ontario M2H 2E1, Canada  
Tel +1 416.502.1950  
Fax +1 416.502.1952  
cryocan@istar.ca  
www.cryocanada.com

**Cryogenic Industries—Malaysia**  
Lot 35, Jalan Selat Selatan 21  
Sobena Jaya, Pandamaran  
42000 Port Klang, Selangor, Malaysia  
Tel +60 (3) 3165.4801  
Fax +60 (3) 3165.4798  
rmross1@attglobal.net

**Cryogenic Industries—China**  
64 Tian Mu Shan Road  
Hangzhou, 310007, China  
Tel +86 571.885.9026  
Fax +86 571.885.9025  
cdking@mail.hz.zj.cn

**Pittsburgh Cryogenic Services, Inc.**  
767 State Route 30  
Imperial, PA 15126 USA  
Tel 800.327.6461 (USA only)  
Tel +1 724.695.1910  
Fax +1 724.695.1926  
pittcryo@pulsenet.com  
www.pittcryogenic.com

