



Members of CRYOGENIC INDUSTRIES

Model TC-34

Submerged Pump

Applications

- Use where product loss is not acceptable
- ▶ Liquid storage transfer
- ▶ Mobile delivery transfer—LAR, LIN
- ▶ Vehicle fueling stations—LNG

Features & Benefits

- ▶ Pump and motor are fully submerged in liquid minimizing loss and guaranteeing quick response pumping
- ▶ Vacuum jacketed sump provides extremely low heat leak—ideal pumping conditions (optional)
- ▶ Seamless and submerged design minimizes maintenance requirements
- ▶ Vertical pump design provides greater stability and longer life
- ▶ Designed VFD motor provides broad range of operation

Liquids Pumped

- ▶ N₂, Ar, methane (LNG)



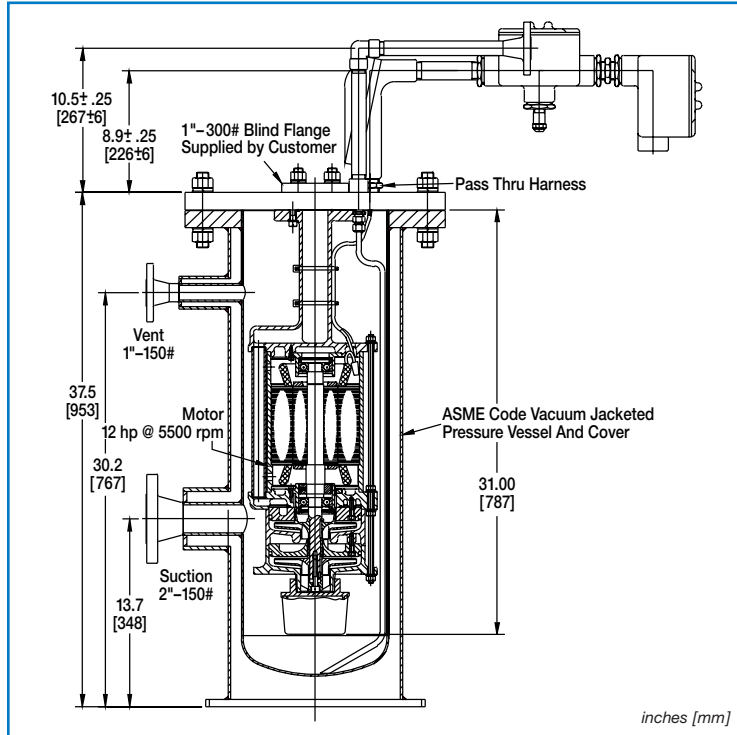
Not available for O₂ service.

Specifications

Flow Range	
gpm	2–90
lpm	8–340
NPSHR	
3–12 feet	
1–4 meters	
Differential Head	
50–1600 feet	
15–488 meters	
Pump Design Rating	
hp	15 or 25
kw	11 or 18.5
RPM Range	
rpm	1500–6000

Model TC-34

Dimensions



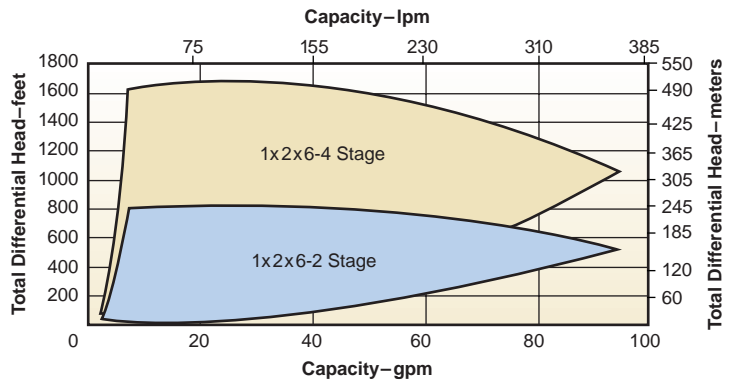
Scope of Supply

- ▶ Pump and integral VFD designed motor with hermetically sealed lead through
- ▶ Mounting flanges for mating connections

Optional Accessories

- ▶ Vacuum jacketed sump
- ▶ Variable frequency drive
- ▶ Differential pressure gauge
- ▶ Loss of prime detector (cavitation protection)
- ▶ Safety relief valve
- ▶ Dual conduit box per NFPA standards for LNG service

Pump Performance Map



Speed Range – 1500 to 6000 rpm

based on 60hz



Worldwide Sales & Service Centers



2321 S. Pullman Street
Santa Ana, CA 92705 USA
Tel +1.949.261.7533 • Fax +1.949.261.6285
800.525.4216 (USA only)
acd@acdcom.com, www.acdcom.com



Gutenbergstrasse 1
CH-4142 Muenchenstein, Switzerland
Tel +41.61.413.0230 • Fax +41.61.413.0233
info@acdcryo.com

Cryogenic Industries—Headquarters
25720 Jefferson Avenue
Murrieta, CA 92562 USA
Tel +1 909.696.7840
Fax +1 909.698.7484
info@cryoind.com
www.cryoind.com

CryoAtlanta, Inc.
370 Great Southwest Parkway, Suite F
Atlanta, GA 30336 USA
Tel 888.217.9355 (USA only)
Tel +1 404.696.8113
Fax +1 404.696.8116
tfarmer@bellsouth.net

CryoCal, Inc.
2110 S. Lyon Street, Unit H
Santa Ana, CA 92705 USA
Tel +1 949.724.8636
Fax +1 714.641.1921
cryocal@ix.netcom.com

CryoCanada Incorp.
530 McNicoll Avenue
North York, Ontario M2H 2E1, Canada
Tel +1 416.502.1950
Fax +1 416.502.1952
cryocan@istar.ca

Cryogenic Industries—Malaysia
Lot 35, Jalan Selat Selatan 21
Sobena Jaya, Pandamaran
42000 Port Klang, Selangor, Malaysia
Tel +60 (3).365.4801
Fax +60 (3).365.4798
jestes@pc.jaring.my

Pittsburgh Cryogenic Services, Inc.
767 State Route 30
Imperial, PA 15126 USA
Tel 800.327.6461 (USA only)
Tel +1 724.695.1910
Fax +1 724.695.1926
pittcryo@pulsenet.com

Cryo-Chem Pty LTD
47 McIntosh Street
Airport West, Victoria 3042, Australia
Tel +61 3.9330.2444
Fax +61 3.9330.1015
rmross1@ibm.net

Cryogenic Industries—China
64 Tian Mu Shan Road
Hangzhou, 310007, China
Tel +86 571.885.9026
Fax +86 571.885.9025
dkling@mail.hz.zj.cn

Members of **CRYOGENIC INDUSTRIES**